

AKEPO LED DMX 24CH

- 2.4GHz RF remote controllable
- 16 Millions of colors to choose
- Brightness and color temperature adjustable
- Control distance: 30m

PRODUCT PARAMETERS

COLOR	RGB (Red, Green, Blue)
SHAPE	Rectangular
FINISH TYPE	Brushed
LIGHT SOURCE TYPE	Light Emitting Diode
POWER SOURCE	DC5V/DC12V/DC48V
BRAND	AKEPO
ITEM WEIGHT	0.88 Kilograms
STYLE	Modern
VOLTAGE	24 Volts
LIGHT OUTPUT MAXIMUM	7200 Lumens
MAXIMUM COMPATIBLE LIGHT SOURCE WATTAGE	72 Watts
LIGHT SOURCE WATTAGE	72 Watts
MOUNTING TYPE	Rack Mount
BULB FEATURES	Color-changing (RGB)
NUMBER OF LIGHT SOURCES	1
ARE BATTERIES INCLUDED	No
AMPERAGE	3 Amps
PRODUCT DIMENSIONS	9.8"L x 4.13"W x 1.69"H
SET NAME	24-Channel with Display
UPC	769407391165
WATTAGE	1728 watts
ITEM WEIGHT	1.94 pounds
ASIN	B07Q24FFDX
ITEM MODEL NUMBER	de1aa7e6-16b0-4d70-8618-99b083a1bc9f
COLOR NAME	RGB (Red, Green, Blue)
SIZE	24 channel (with display)



24-channel DMX512 Digital Display Decoder

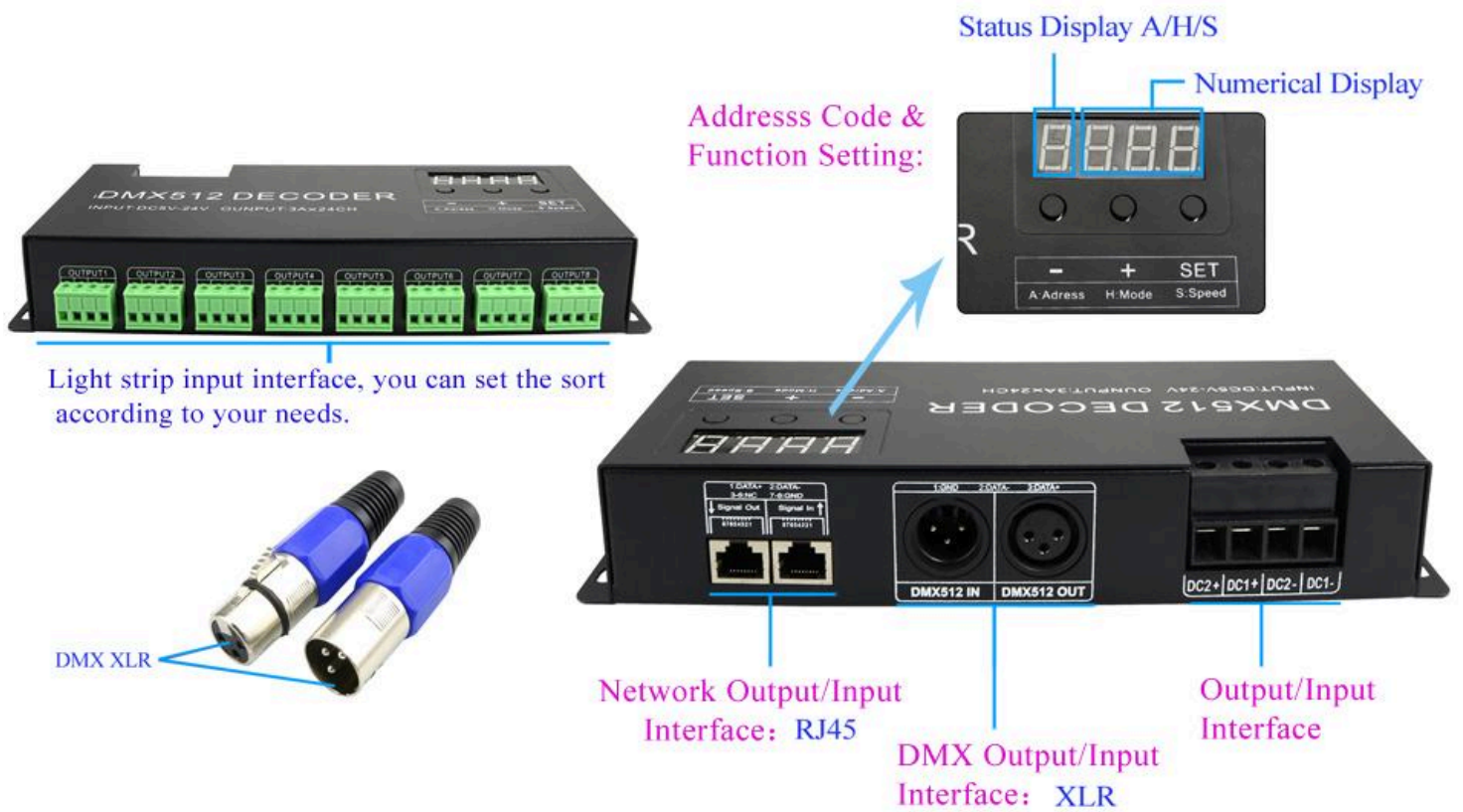
AKEPO[®]

- DC 5-24V
- Perfect synchronization controller
- 10 built-in modes (11 levels of speed adjustable)
- Digital display and 3-key setting, easy to adjust the address code



FEATURES

- This DMX decoder adopts advanced computer control chip, can receive the international DMX-512 standard digital control signals and converted into PWM controller signal to drive the LED.
- It can be controlled by the DMX Console, and can be connected with numbers of DMX Decoder to increase the output power to realize all kinds of changing mode.
- This DMX decoder can be used as the synchronous controller to control the LED alone, it can realize the synchronous effects.
- The decoder adopts the digital tube to show the address code, and with 3 buttons to setting, make it more easy to use.



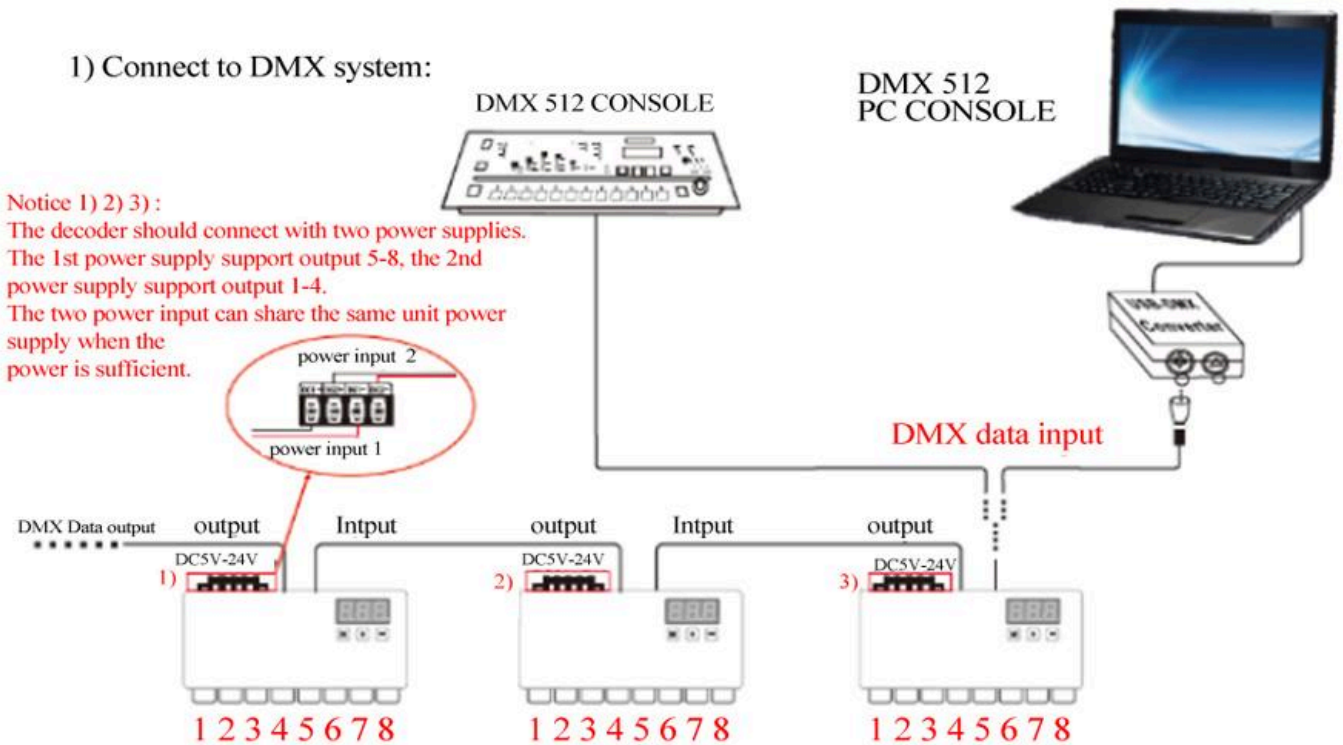
HOW TO SEE IF IT IS SUITABLE FOR YOUR PROJECT ?

Input voltage in DC 5/12/24V are suitable, you need to check if the output power is enough for your light strips need:

- Use 5V power supply, then output power $360W$ (3A/channel*24channel*5V=360W)
- 12V then output power $864W$ (3A/channel*24channel*12V=864W)
- 24V then output power $1728W$ (3A/channel*24channel*24V=1728W)

How to connect and use the 24-channel DMX512 digital display decoder?

1) Connect to DMX system:



- Link the light strips/other lights with the 24 channel of the decoder with screws, then you can control the light by the DMX512 console or DMX512 PC console.
- It can easily to control and change the color/modes in a short time. So you can use it in some middle or above project. Such as stage lighting, church, buinding lighting system, disco hall, Gymnasium lighting, literature performance, temporary stage performance, TV station, conference center, professional showplace, topic park, bar lighting and so on