

SINGLE COLOR LED CONTROLLER (2.4GHZ)

- 2.4G RF wireless transmission technology
- Brightness adjustable
- Control distance: 30m

PRODUCT PARAMETERS

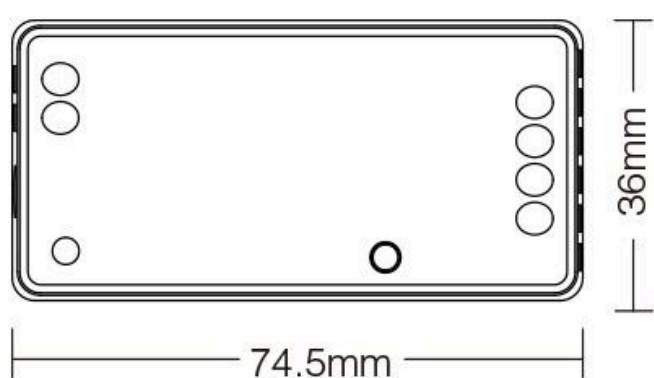
PRODUCT NAME	Single Color LED Controller (2.4GHz)
MODEL NO.	FUT036S
INPUT VOLTAGE	DC12~24V
OUTPUT	Max 12A
RF	2.4GHz
CONTROL DISTANCE	30m
IP RATE	-
WORKING TEMPERATURE	-10~40°C
OUTPUT CONNECTION	Common anode



2.4GHz RF Remote control (Control distance 30m)



Brightness adjustable, smooth transition without flicker



18326 Gault St., Reseda, CA.91335 | www.succarled.com | 818-457-4146

SINGLE COLOR LED CONTROLLER (2.4GHZ)

Easy intelligent life with multiple control modes



18326 Gault St., Reseda, CA.91335 | www.succarled.com | 818-457-4146