

RGBW LED CONTROLLER (2.4GHZ)

- 2.4G RF wireless transmission technology
- 16 Millions of colors to choose
- Brightness and saturation controllable
- Control distance: 30m

PRODUCT PARAMETERS

PRODUCT NAME	RGBW LED Controller (2.4GHz)
MODEL NO.	FUT038S
INPUT VOLTAGE	6A/Channel
OUTPUT	Max 12A
RF	2.4GHz
CONTROL DISTANCE	30m
IP RATE	-
WORKING TEMPERATURE	-10~40°C
OUTPUT CONNECTION	Common anode



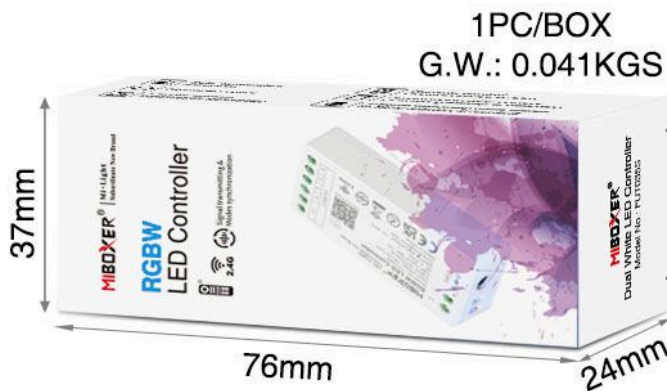
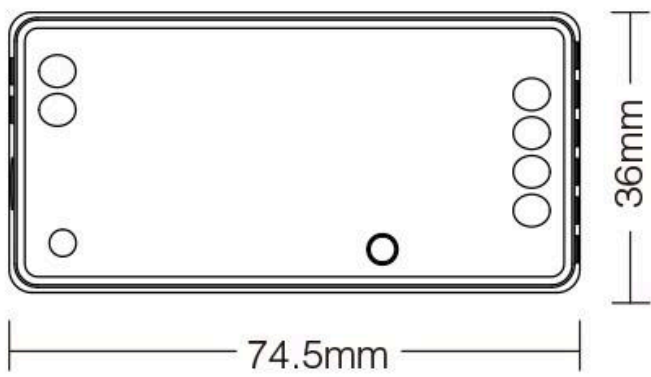
16 Millions of colors to choose



Saturation adjustable, meet the diversified lighting



Brightness adjustable, smooth transition without flicker



RGBW LED CONTROLLER (2.4GHZ)

Brightness and color temperature adjustable

