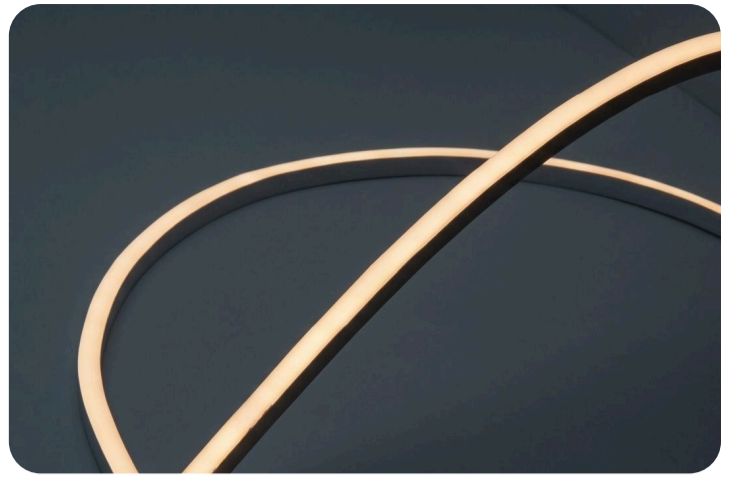


3W IP67 FLEXIBLE LED NEON SERIES

The LNSV-1010 is a high performance, flexible LED strip designed as a neon replacement, useful in a wide variety of indoor or outdoor applications where a smooth surface or continuous line of light is desired. It can bend around contours or tight curves horizontally or vertically without being damaged. It allows for easy installation with its factory sealed terminators and self locking male and female barrel connectors. Fully encapsulated UV protected and wet location rated



SPECIFICATIONS

INPUT VOLTAGE	24V DC Constant Voltage
POWER CONSUMPTION	3W per Ft.
LUMEN OUTPUT	155Lm/Ft.
CRI	90+
COLOR TEMPERATURE	30K/40K/60K
DIMMING/CONTROL	MLV, ELV, 0-10V and TRIAC
MAXIMUM RUN LENGTH	32 Ft.
CUTTABLE	Every 50mm
POWER FACTOR	< 1
STORAGE TEMPERATURE	-40F (-40C) to 140F (60C)
OPERATING TEMPERATURE	-40F (-40C) to 131F (55C)
BEAM ANGLE	160
HUMIDITY	0-95 Non Condensing
IP RATING	IP67/IP68
CERTIFICATIONS	UL Listed
LUMEN MAINTENANCE	50,000 Hrs

FEATURES

- High color consistency
- Multiple CCT options available
- Ideal for indoor and outdoor use
- Continuous run length up to 32 Ft.
- Dimmable with SUCCARLED dimmable drivers.
- UL Listed (US and Canada)

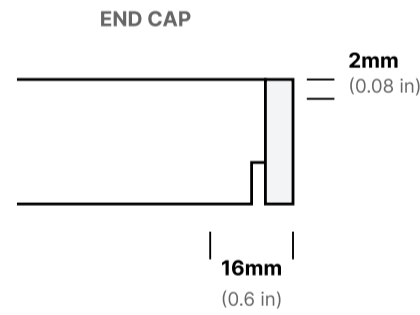
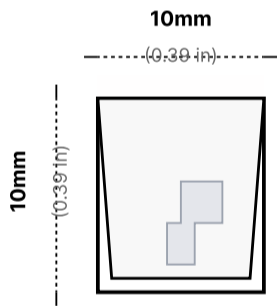


Model	COLOR TEMP	LENGTH	VOLTAGE	SURFACE
LNSV-1010	30K 3000k	32 32 Ft.	24V 24V DC	HB Horizontal Bend
	40K 4000k			VB Vertical Bend
	60K 6000k			

*1 = Custom length per FT.

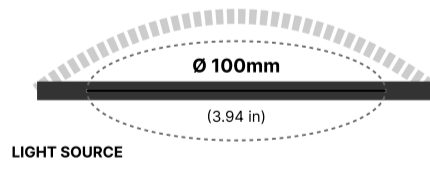
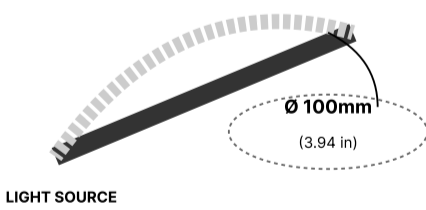
18326 Gault St., Reseda, CA.91335 | www.succarled.com | 818-457-4146

DIMENSIONS



HORIZONTAL BEND

VERTICAL BEND



PRODUCT NAME	DESCRIPTION	ITEM	PICTURE
LN1010-CP	3.3FT/PCS ALUMINIUM CURVED PROFILE	CURVED PROFILE	
LNT1010-MC	30 MOUNTING CLIP PER REEL	MOUNTING CLIP	
LNT1010-ECH	6 PIECES PER REEL	IP67 SILICONE END CAP FOR WHT 2 PIN	
LNT1010-EC	6 PIECES PER REEL	IP67 CLOSED ENDCAP	