

SP530E

The RBI single colour remote is a wireless control solution designed specifically for single colour LED strips when paired with the SP630E 5-in-1 Bluetooth LED controller. It provides smooth, intuitive control over brightness and lighting effects, making it ideal for clean, functional lighting installations.

PRODUCT PARAMETERS

PRODUCT	RBI Single Colour Remote Suitable for single colour LED strips (used with SP630E 5-in-1 controller)
CONTROL	up to 4 zones, supports one-to-one and one-to-many control
TRANSMISSION	2.4GHz RF wireless
CONTROL DISTANCE	30m
DIMMING	1%–100% with touch brightness ring + preset levels (25% / 50% / 75% / 100%)
FEATURES	music mode, dynamic mode, speed control
BATTERY	3V (CR2032)
DIMENSIONS	135 × 49 × 11 mm ()





Single Color RF Wireless Controller



Support PWM
1CH Single Color
No IC LED Strip



Bluetooth
APP Control



Music Lighting
Effects



Brightness
Adjustment



BT/WiFi APP
Control+RF/Alexa



Support SPI
Single Color
IC LED Strip



Remote
control



Group
control



Timer



Support SPI
LED Matrix

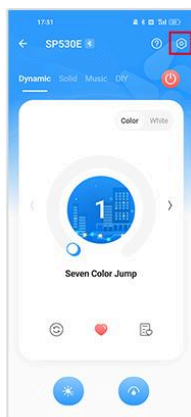


PARAMETER TABLE

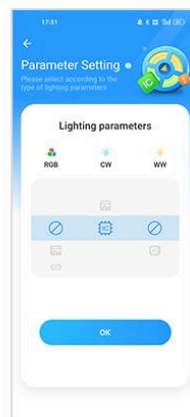
Compatible LED Strip Lights	SPI Single Color LED strip or PWM 2CH Single Color LED strip
Input Voltage	DC5V-DC24V Controller voltage depends on LED strip
Current	PWM Single Channel Maximun Output Current: 6A.Total Maximun : 12A
Waterproof level	IP30 Non-waterproof
Operation temperature	-4°F~140°F (-20°C~+60°C)
APP Name	BanlanX
Support IC QTY	SPI single color IC : 1800 IC max .
Support IC chip (SPI)	FCOB WS2811 IC single color LED Strip.
Support PWM chip No IC	FCOB ,SMD5050,3014,3528,5730,5630 etc 2pin(V+ V-).
On/off animations	Set on/off animations and the default power-on state.

Support SPI Single color LED Strip

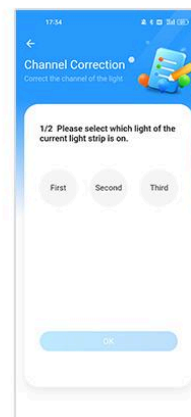
(Note: Please select the correct LED type on the App Setting page.)



1 Enter the parameter setting interface.



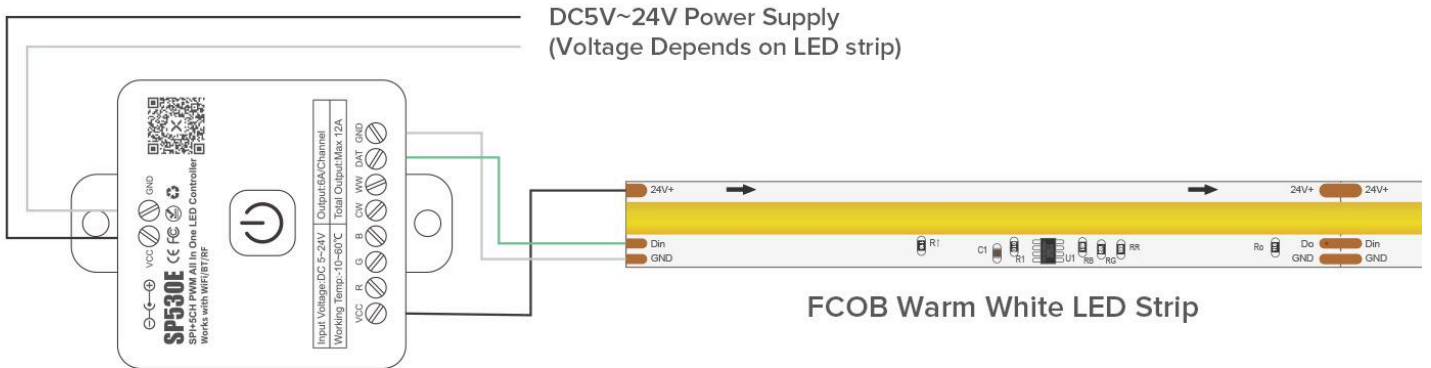
2 Set the IC type.



3 Follow the page prompts to complete color correction.

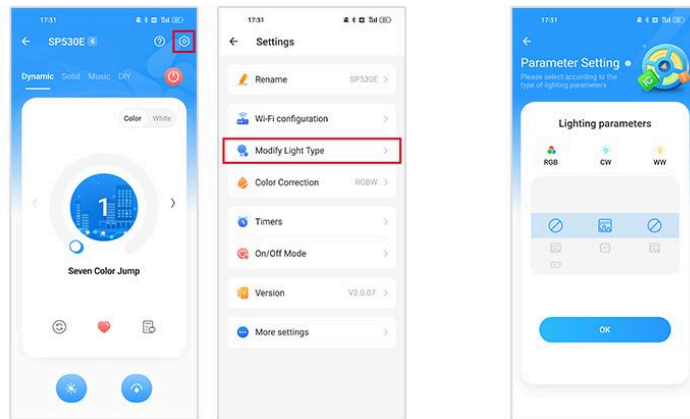
The SPI Single Color LED Strip

Such as WS2811 IC FCOB Warm White/Natural White/Cool White,etc.



Support PWM Single color LED Strip

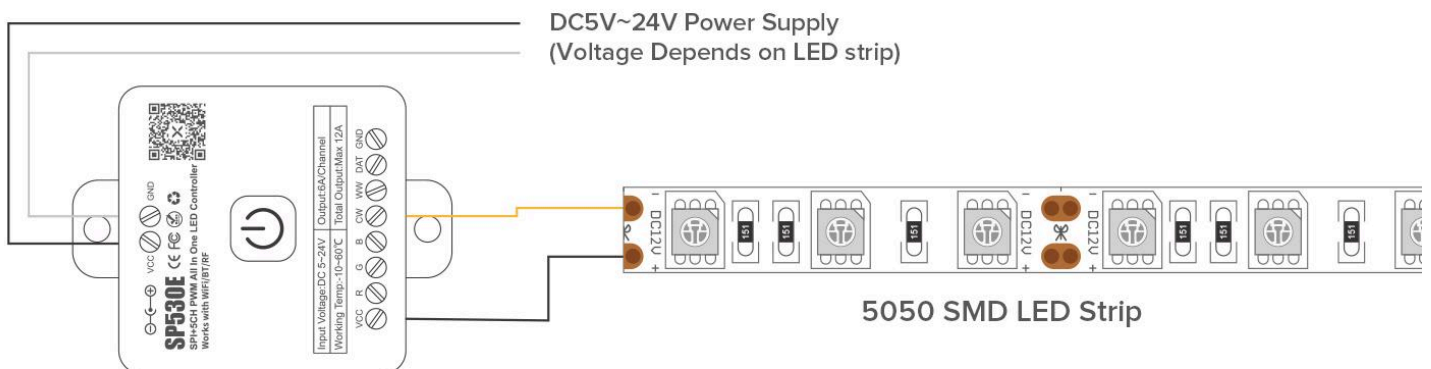
(Note: Please select the correct LED type on the App Setting page.)



- ① Enter the parameter setting interface.
- ② Set the LED type.

The PWM Single Color LED Strip

Such as FCOB,5050,5630,3014,3528, etc.



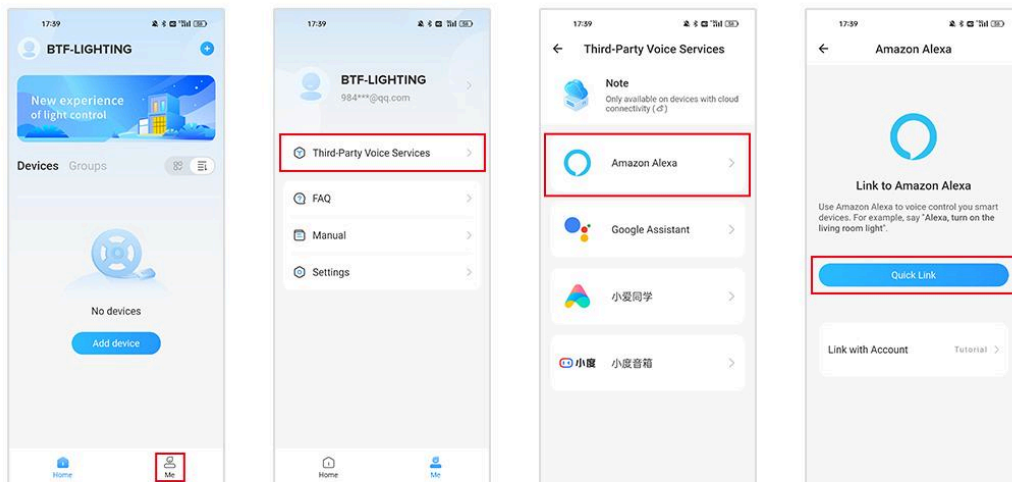
Support smartphone app control and third party voice control

Not need 2.4GHz gateway, directly control

- Works with amazon alexa
- Works with Google assistant
- Works with BanlanX



Connect to Alexa



Zone Setting

Short Press

Select specific zone . Short press ① first, then press [Zone], then only Zone 1 will respond to this operation.

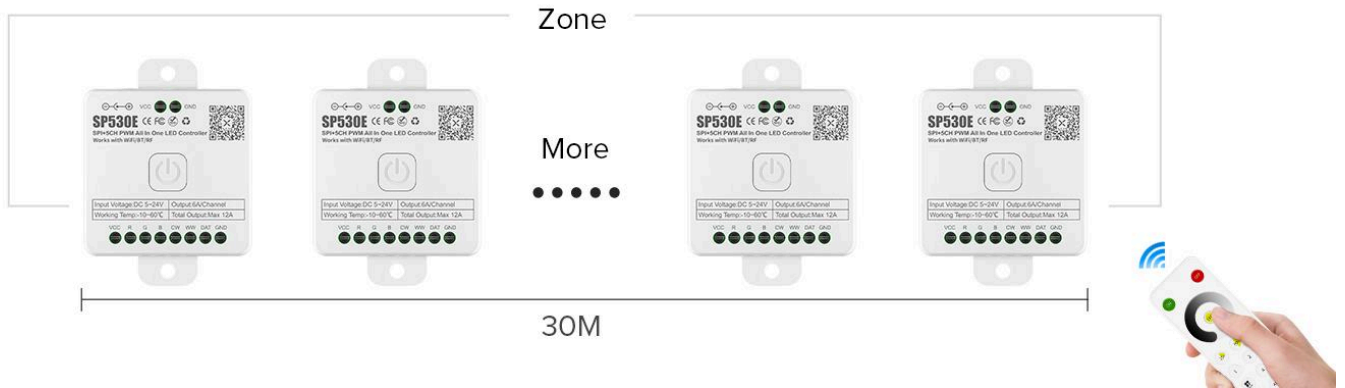
Long Press

Zone Setting .within 20s after the controller is powered on, long press a key ① ② ③ ④ to set the controller to specific zone.



Group Setting And Group Control

Free Control lighting within 30m distance, connecting countless controllerst to set one zone groups by RF remote control. Invidived one zone group lighting separately, no controller QTY limited.



Dynamic

Solid

Music

Setting

