

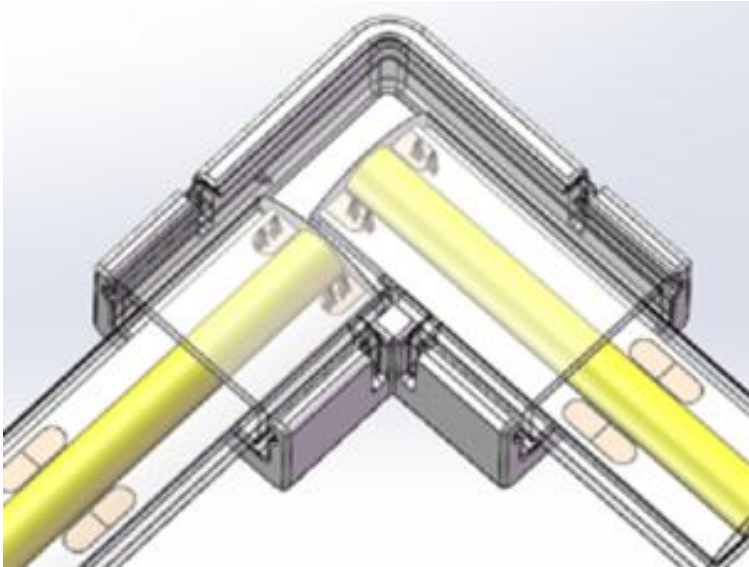
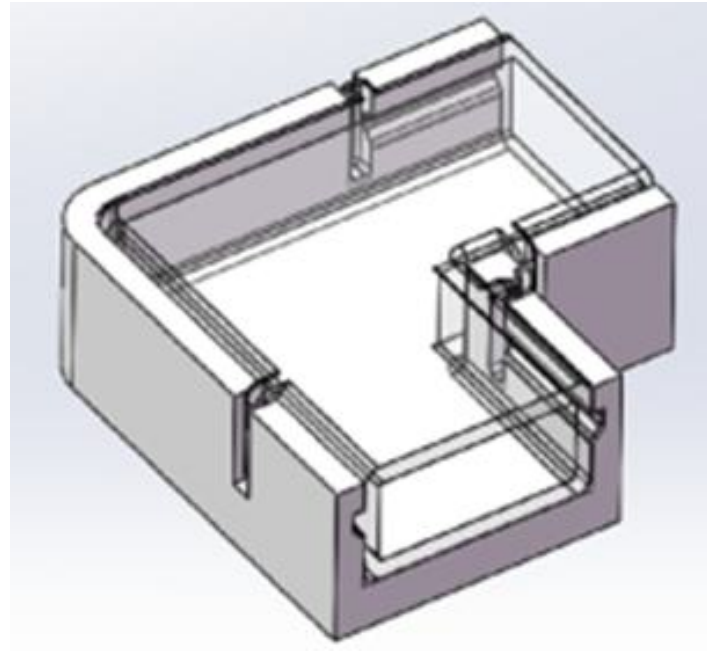
SOLID LOCK OUTDOOR COB LED STRIP CONNECTOR

L: 35.5mm
W: 17.0mm
H: 8.5mm

SPECIFICATIONS

- Available PCB size: 10mm
- Pins: 2 Pin
- Typically Application: 2P SMD or COB IP67 IP68 SILICON TUBE WATERPROOF flexible led strip

APPLICATION



*1 = Custom length per FT.