

## SOLID LOCK INDOOR COB LED STRIP CONNECTOR

L: 13.5mm

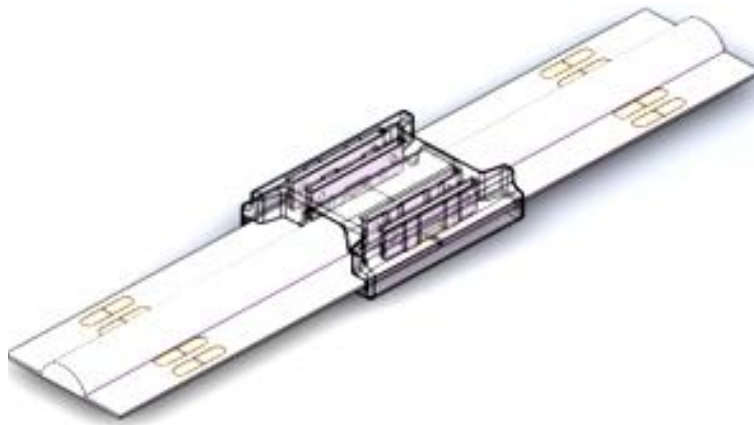
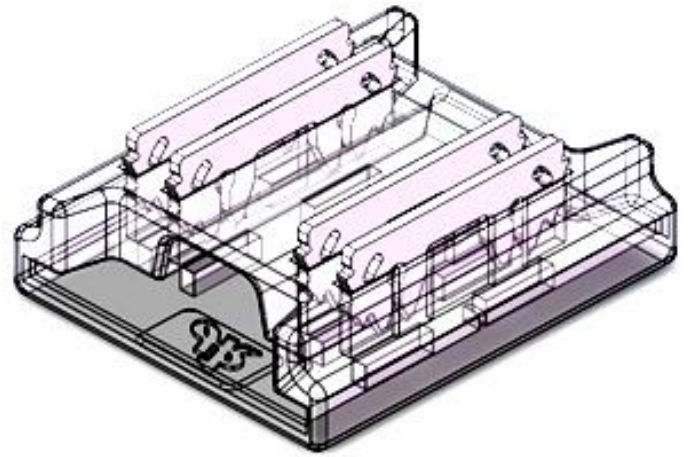
W: 11.8mm

H: 3.7mm

## SPECIFICATIONS

- Available PCB size: 10mm
- Pins: 4Pin (RGB)
- Typically Application: 3P&4P COB IP20 NON WATERPROOF flexible led strip

## APPLICATION



\*1 = Custom length per FT.