

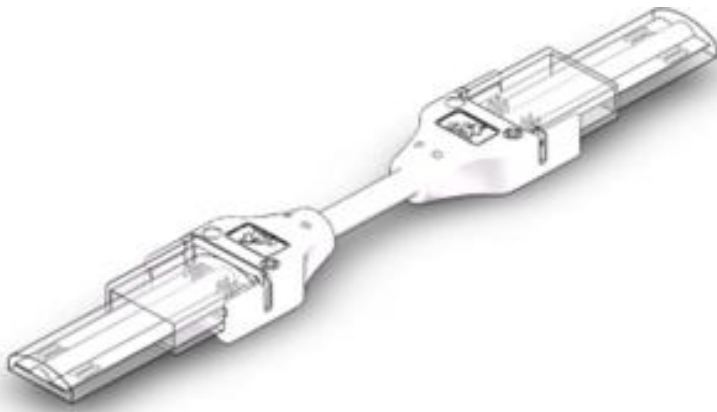
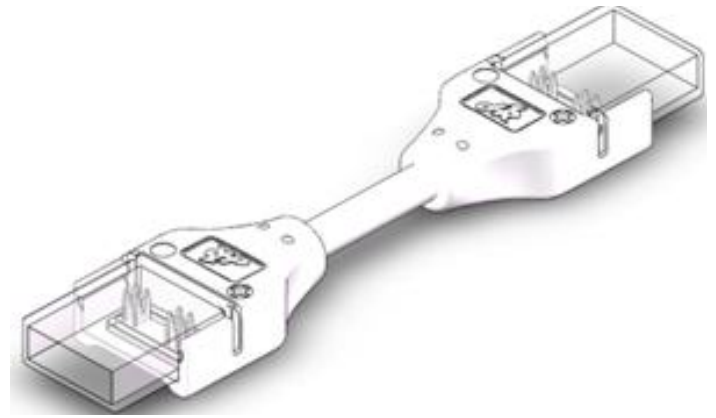
SOLID LOCK OUTDOOR COB LED STRIP CONNECTOR

L: 35.5mm
W: 17.0mm
H: 8.5mm

SPECIFICATIONS

- Available PCB size: 10mm
- Pins: 4Pin (RGB)
- Cable: 22#(0.34mm²), 15cm in Length
- Typically Application: 3P&4P COB IP67 IP68 SILICON TUBE WATERPROOF flexible led strip

APPLICATION



*1 = Custom length per FT.