

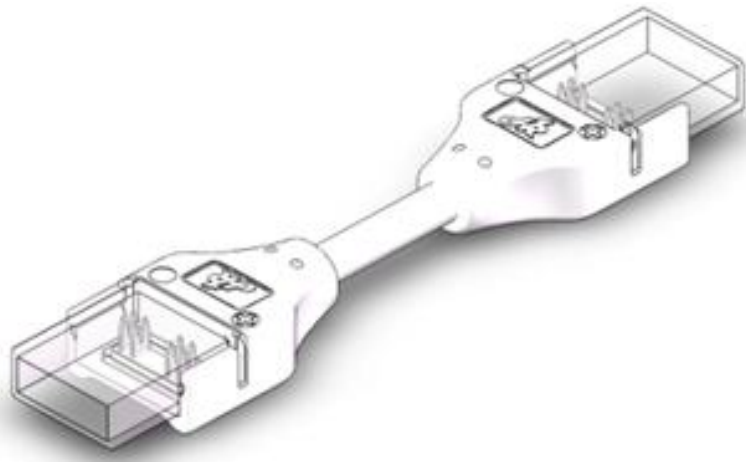
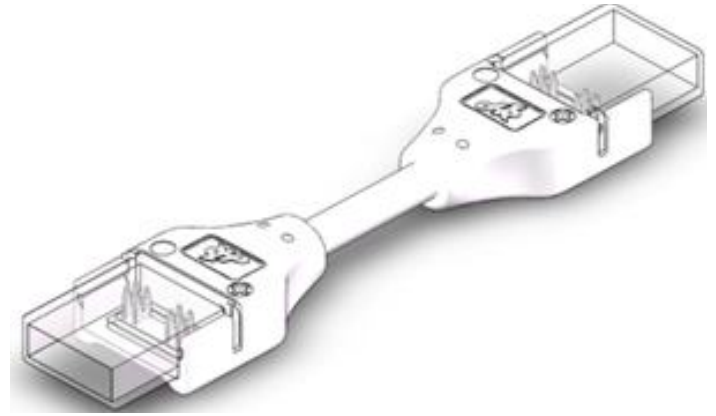
## SOLID LOCK OUTDOOR COB LED STRIP CONNECTOR

L: 35.5mm  
W: 17.0mm  
H: 8.5mm

## SPECIFICATIONS

- Available PCB size: 10mm
- Pins: 4Pin (RGB)
- Cable: 22#(0.34mm<sup>2</sup>), 15cm in Length
- Typically Application: 3P&4P COB IP67 IP68 SILICON TUBE WATERPROOF flexible led strip

## APPLICATION



\*1 = Custom length per FT.