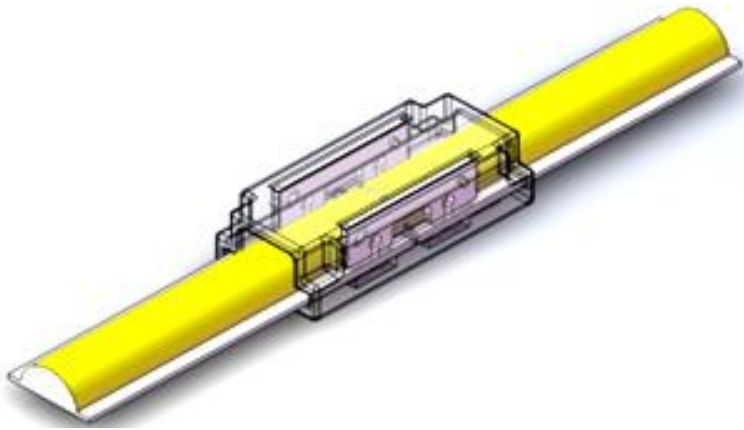
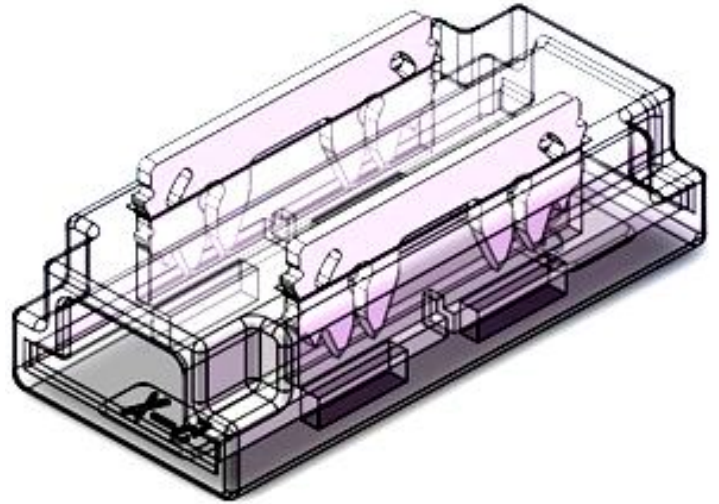


L: 13.5mm
W: 6.3mm
H: 3.7mm

SPECIFICATIONS

- Available PCB size: 5mm
- Pins: 2 Pin
- Typically Application: 2P COB IP20 NON WATERPROOF flexible led strip

APPLICATION



*1 = Custom length per FT.