

TDJ SERIES 60W

TDJ SERIES indoor/outdoor drivers are highly efficient, stable with smooth dimming capability compatible with most TRIAC, ELV, MLV, reverse and forward phase dimmers, and on/off switches. These drivers are derated allowing them to be loaded to maximum wattage capacity.

FEATURES

DIMMING FUNCTION	Electronic Transformer Triac/ ELV/ MLV dimming
DIMMING RANGE	0-100%
WATERPROOF PERFORMANCE	For dry and damp locations
INPUT	120VAC
THD	THD<20%@120V Max. load
OUTPUT TYPE	Constant voltage
SMALL SIZE	126.4x80x40.4 mm / 4.97x3.15x1.59 inch(L*W*H)
PROTECTION	Ultra-low load requirements: Operates flawlessly at 20%-100% load.
COMPATIBILITY	Short circuit / over load <ul style="list-style-type: none">• LED strip/ LED tape/ LED module• Residential Lighting• Commercial Lighting
APPLICATION	
WARRANTY	5 years warranty

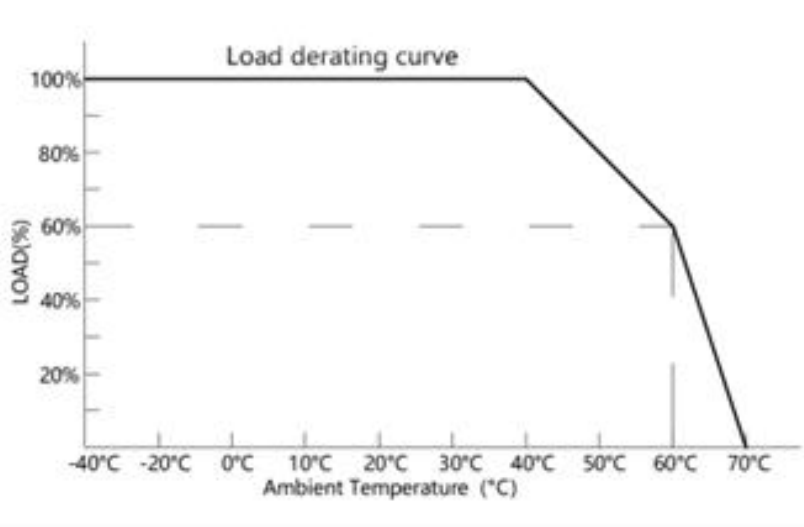


SPECIFICATIONS

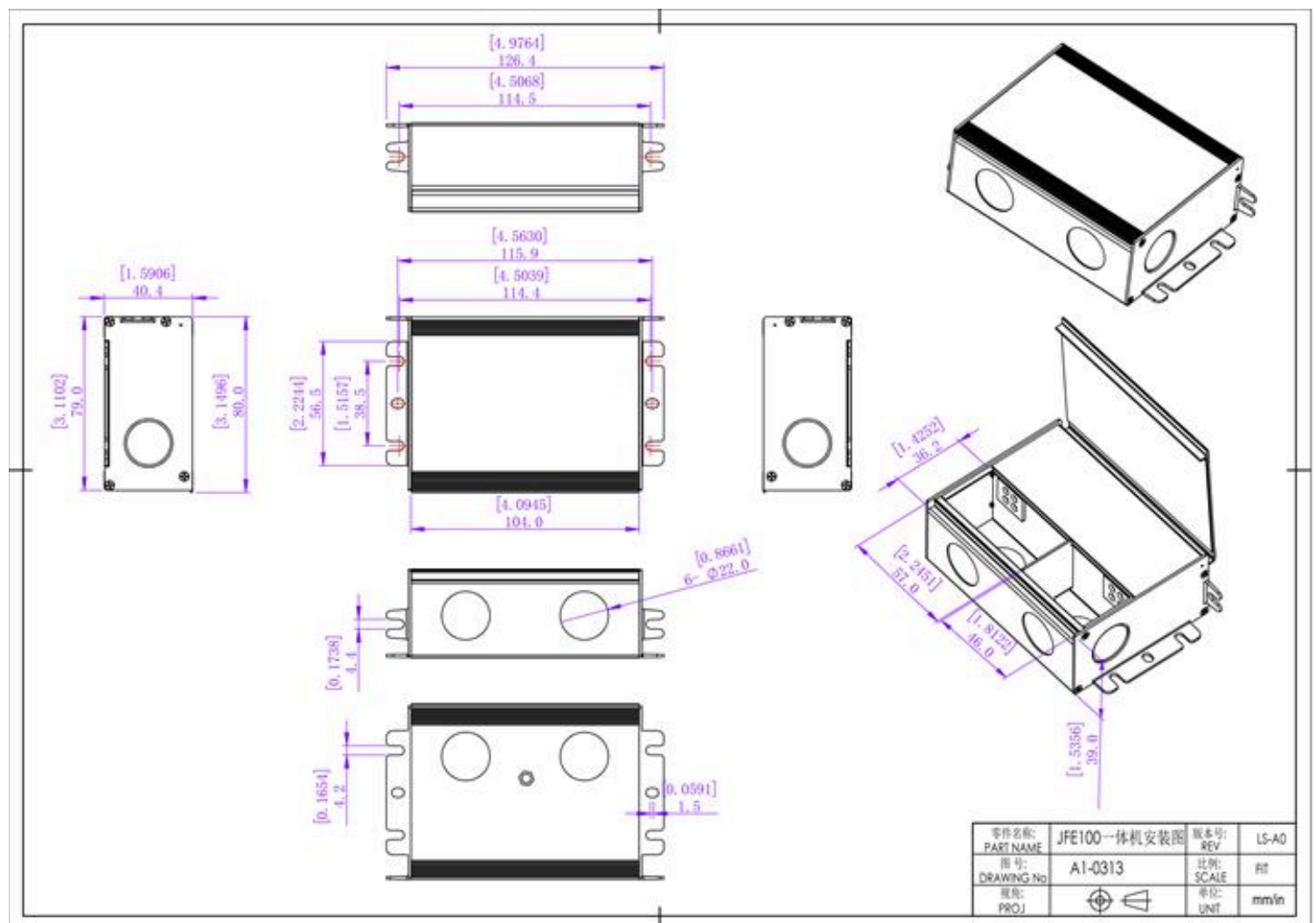
Model		TR12060TDJ	TR24060TDJ
Certificates		UL / FCC / ICES-005 / Class P / Class 2 / TYPE HL / SELV / ROHS / REACH	
Output	DC Voltage	12V	24V
	Rated Current	5.0A	2.5A
	Rated Power	60W	60W
	Voltage Tolerance	±1V	±1.5V
Input	Voltage Range	120V	
	Frequency Range	47-63Hz	
	Power Factor (Typ.) @ full load	0.94@120VAC	
	THD (Typ.) @ full load	THD< 20%(@100% load)	
	Efficiency (Typ.) @ full load	88%@120VAC	
	AC Current (Max.	0.65A	
	Leakage current	<0.5mA/ 120VAC	
Protection	Short Circuit	Hiccup mode, recovers automatically after fault condition is removed.	
	Over Loading	Hiccup mode, recovers automatically after fault condition is removed.	
Environment	Working TEMP.	Tc =-40 ~ +60 (see below derating curve)	
	Working Humidity	20~95%RH, non-condensing	
	Storage TEMP. Humidity	-40 ~ +90, 10 ~ 95% RH	
	TEMP. coefficient	±0.03%/°C (0~50°C)	
	Vibration	10~500Hz, 5G 10min./1 cycle,period for 60min. each along X,Y,Z axes	
Safety & EMC	Safety standards	UL8750; CAN/CSA-C22.2 No.250.13	
	Withstand voltage	I/P-O/P:1.88KVAC	
	EMC Immunity	FCC/ICES do not request this test (US)	
	EMC Emission	FCC Part15 Subpart B; ANSI C63.4a-2017; ICES-005 Issue 5 (US)	
Others	Weight	0.35kg	
	Dimension	See Mechanical Specification	
	packing	36*24*19 cm (20PCS/CTN)	
Notes	1. All parameters if NOT specially mentioned are measured at 120VAC input , rated load and 25°Cof ambient temperature. 2. To extend the driver's using life ,please reduce the loading at lower input voltage.		

DERATING CURVE

To extend their life, please refer to the Derating Curve and derate according to the temperature.

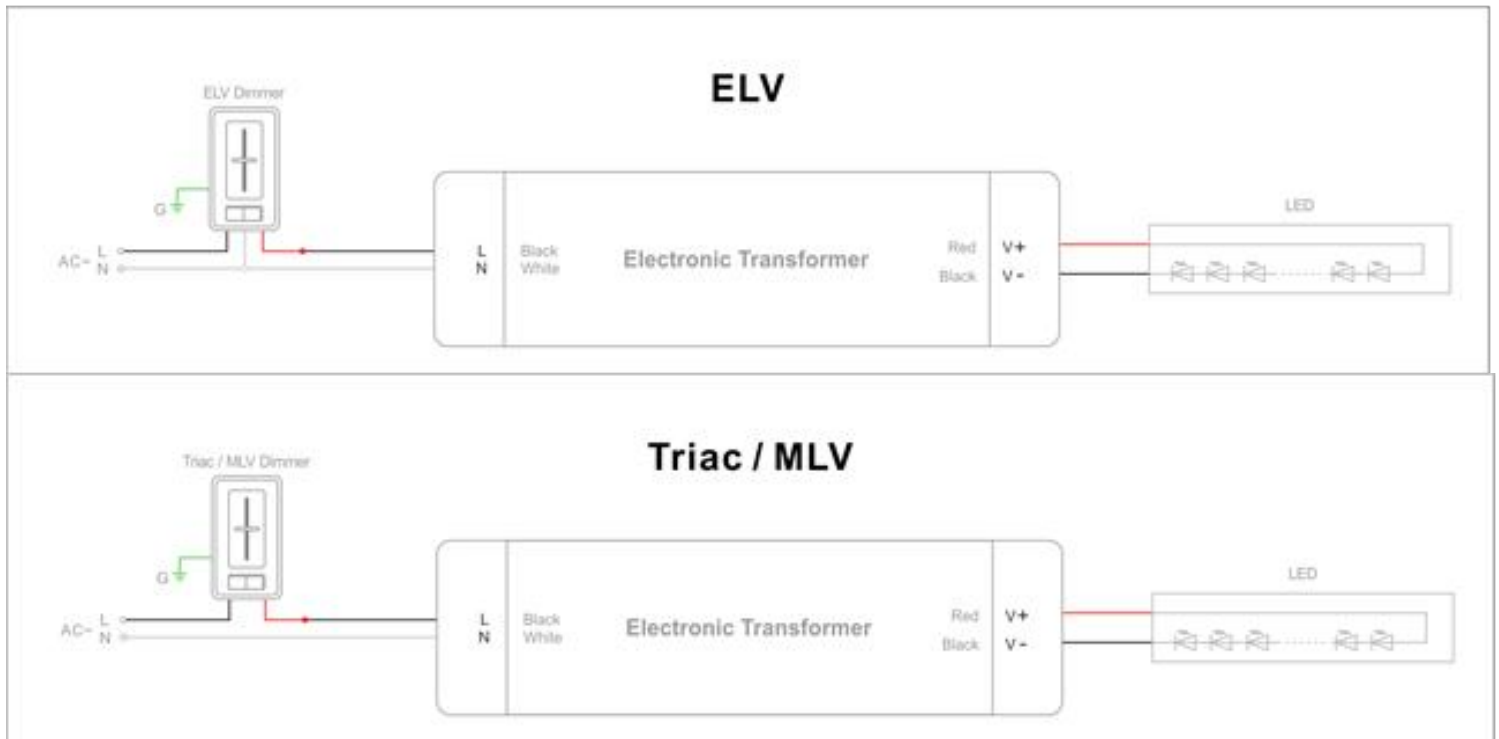


MECHANICAL SPECIFICATION



零件名称: PART NAME	JFE100一体机安装图	版本号: REV	LS-A0
图号: DRAWING No	A1-0313	比例: SCALE	1:1
规格: PROJ		单位: UNIT	mm/in

CONNECTING DIAGRAM



Warm tips:

All Electronic Transformer meet the harmonic emissions requirements of ANSI C82.77-10.

Instruction

1. This driver should be installed by qualified and professional person.
2. Please make sure the driver is installed with adequate ventilation around it to allow for heat dissipation.
3. Ensure that wiring is correct before test in order to avoid light and power supply damage.
4. If driver Cannot work normally, don't maintain privately.

Have any questions, please contact SUCCARLED.

Please visit our website or contact us for more information! www.SUCCARLED.COM